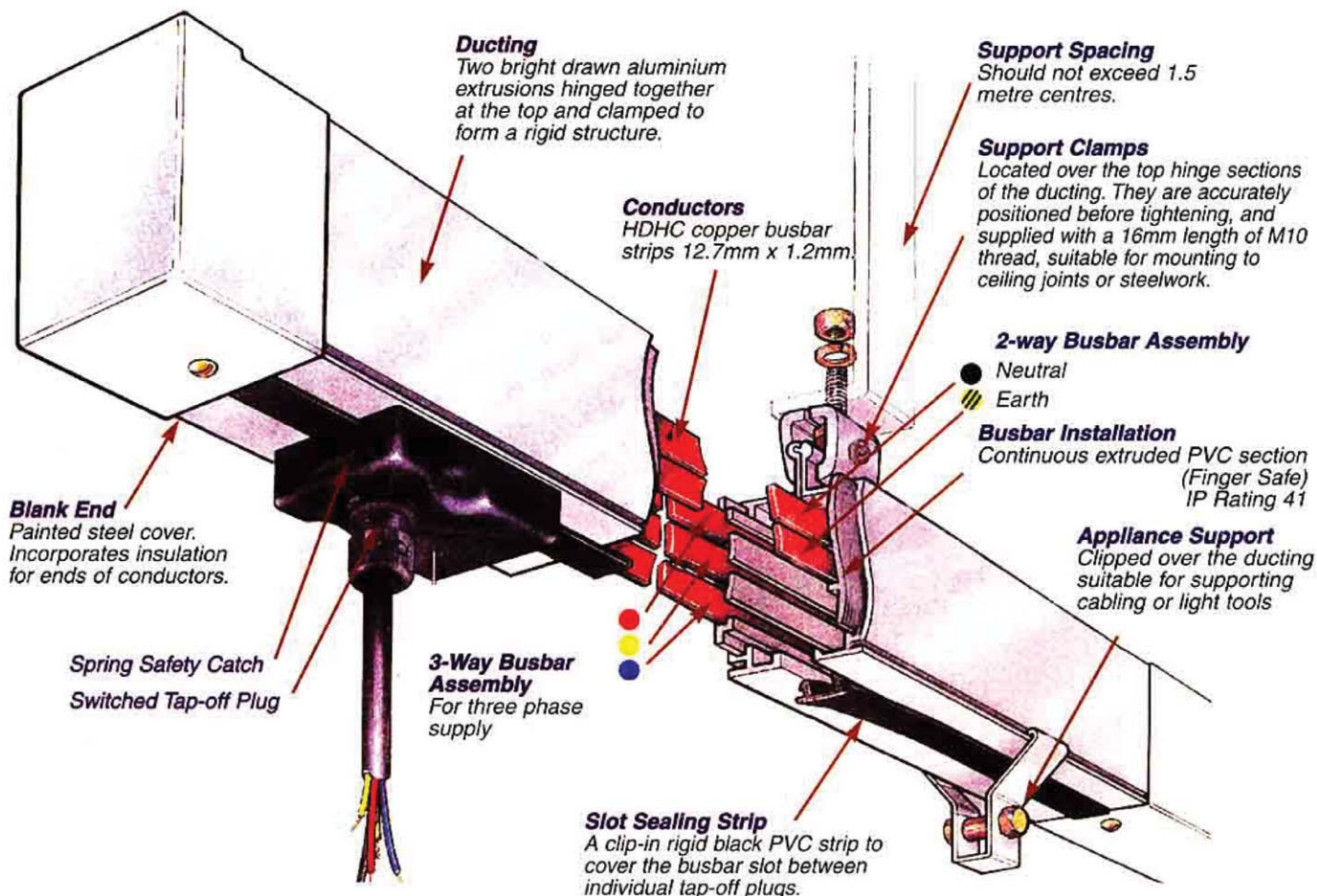


PLUGWAY *Plug-in Power Ducting*

FIVE BAR, 63 AMP, 440 VOLT, 3 PHASE, NEUTRAL AND EARTH SYSTEM, PLUG RATING: 5, 10 AND 15 AMP.



Plugway Power Duct is specially designed for the Clothing and Textile Industry and other installations where Single or Three Phase Machines are moved either Frequently or Infrequently.

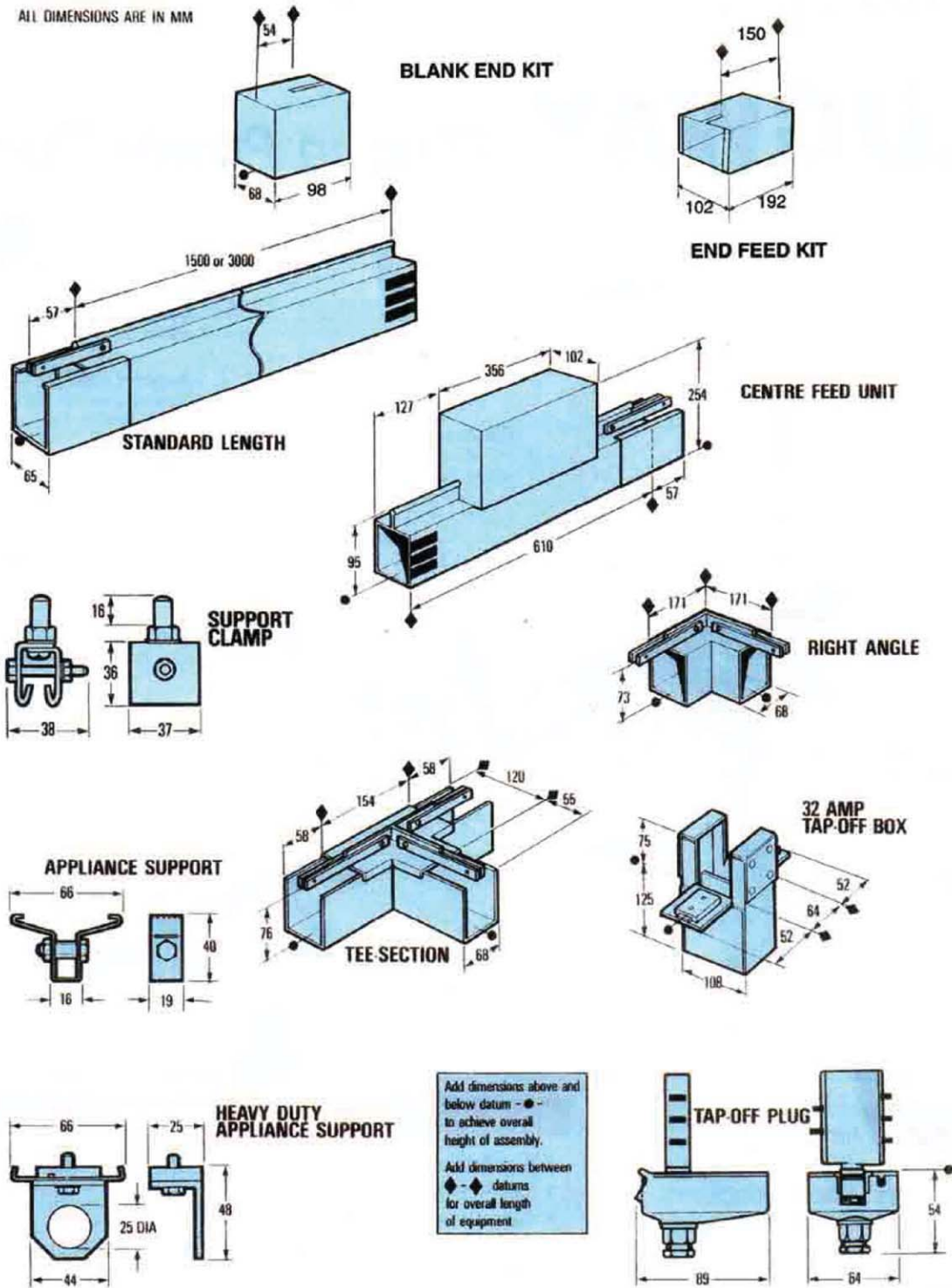
The total flexibility of this system allows any combination of single or three phase machines to be plugged in anywhere along the line. This is achieved via plugs which are simply inserted into the ducting slot (which runs the full length of the Plugway System) and twisted through 90° to give an instant, safe power connection. To disengage plug, a built in safety catch must be released to allow disconnection from the supply instantly and safely.

FEATURES

- Avoids expense of alterations when machines are added or removed.
- Plug in anywhere along the power duct.
- Instant connection and disconnection of machines.
- Three plug fuse ratings, 5, 10 and 15 amp (also optional switched plug version 2 amp).
- Alternative out going circuits, Single, Three phase, Three phase and Neutral, all with Earth.
- Easy and safe fuse replacement in plugs.
- Ducting comes in 1.5 metre and 3 metre lengths.
- The ducting lengths butt together for jointing and are held by the external top coupling strip.
- Busbars are 63 amp Continuous rating, short circuit rating 2KA.
- End feed and blank kits are available also centre feed (120 amp).
- Fixed 3 phase outlet boxes with 32 amp fuses can be fitted at joints.
- Right angle and Tee joints are available.

Plug-in to Power – Anywhere Along the Line

ALL DIMENSIONS ARE IN MM



Nova
ELECTRICAL CO.

20 Dixon Place, College Milton, East Kilbride, G74 5JF. Scotland
 Tel: +44(0)1355 234443 Fax: +44(0)1355 247301
 e-mail: info@nova.uk.com www.novaelectrical.co.uk

Due to a policy of continuous improvement, we reserve the right to supply products which differ slightly from those illustrated and described in this publication. Dimensions are intended as guide only.

PLUGWAY PARTS LIST

Part No.	Description
1001pw	3 Mtr Length c/w Joint & Seal Strip
1002pw	Sealing Strip 3 mtr Length
1003pw	1.5 Mtr Length c/w Joint & Seal strip
1009pw	Centre Feed Unit 120Amp 610mm long
1010pw	Std. 3 Phase N+E Plug c/w Glands and Fuses
1011pw	5 Amp Fuse
1012pw	10 Amp Fuse
1013pw	15 Amp Fuse
1014pw	Cable Gland
1015pw	Single Phase Plug Red c/w 2Amp Pull Switch
1016pw	Single Phase Plug Blue c/w 2Amp Pull Switch
1017pw	Single Phase Plug Yellow c/w 2Amp Pull Switch
1018pw	32 Amp Tap Off Unit c/w Fuses for Joint Fitting
1019pw	90o Corner Unit
1020pw	Tee Unit
1021pw	End Feed Kit
1023pw	Blank End Kit
1025pw	Joint Kit
1026pw	Support Clamp (2 required per length)
1027pw	Appliance Support Attachment
1028pw	Heavy Duty Appliance Support
1030pw	Joint Insulator 3 Way
1031pw	Joint Insulator 2 Way
1032pw	3 Mtr Interior c/w 3 Conductors & Joint Insulator
1032pw	3 Mtr Interior c/w 2 Conductors & Joint Insulator
1037pw	Coupling Strip