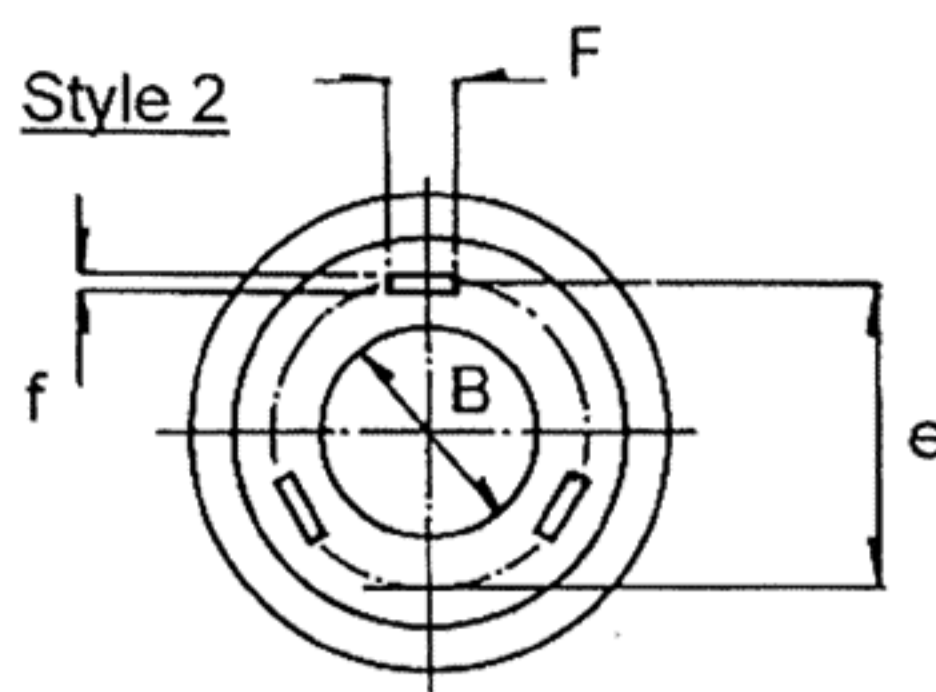
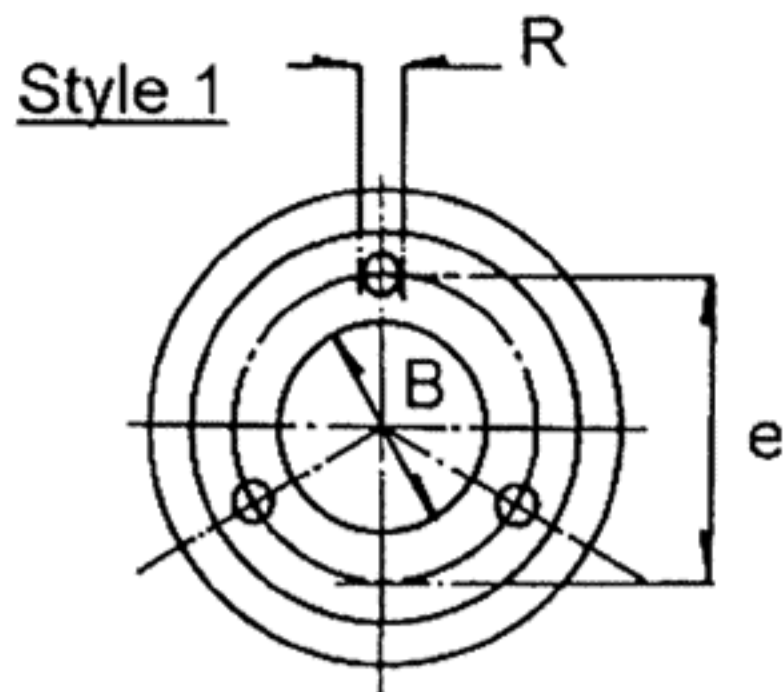
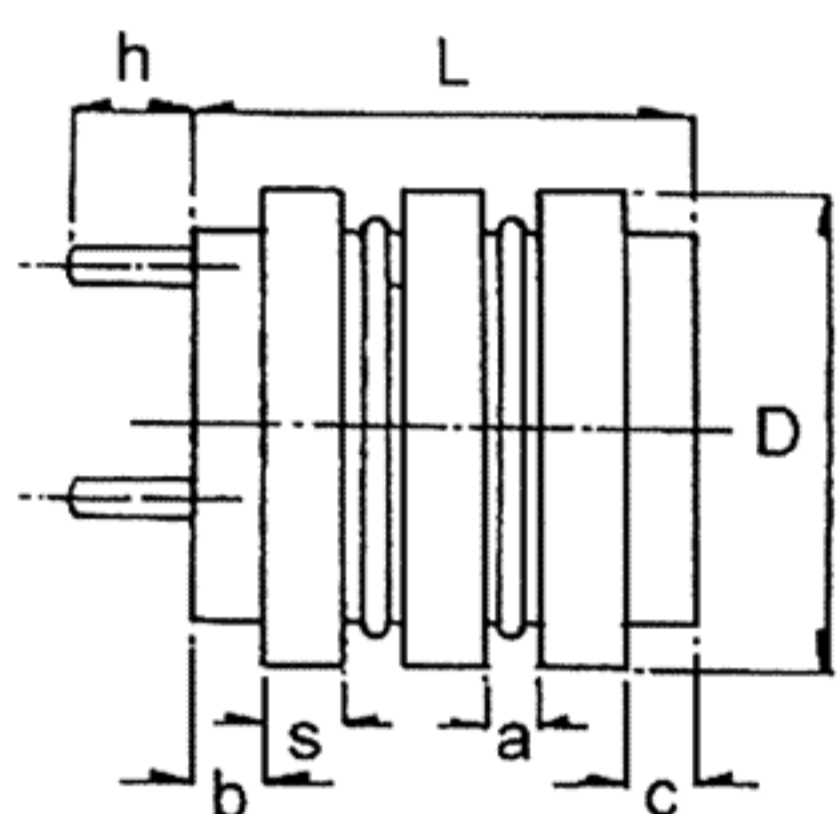
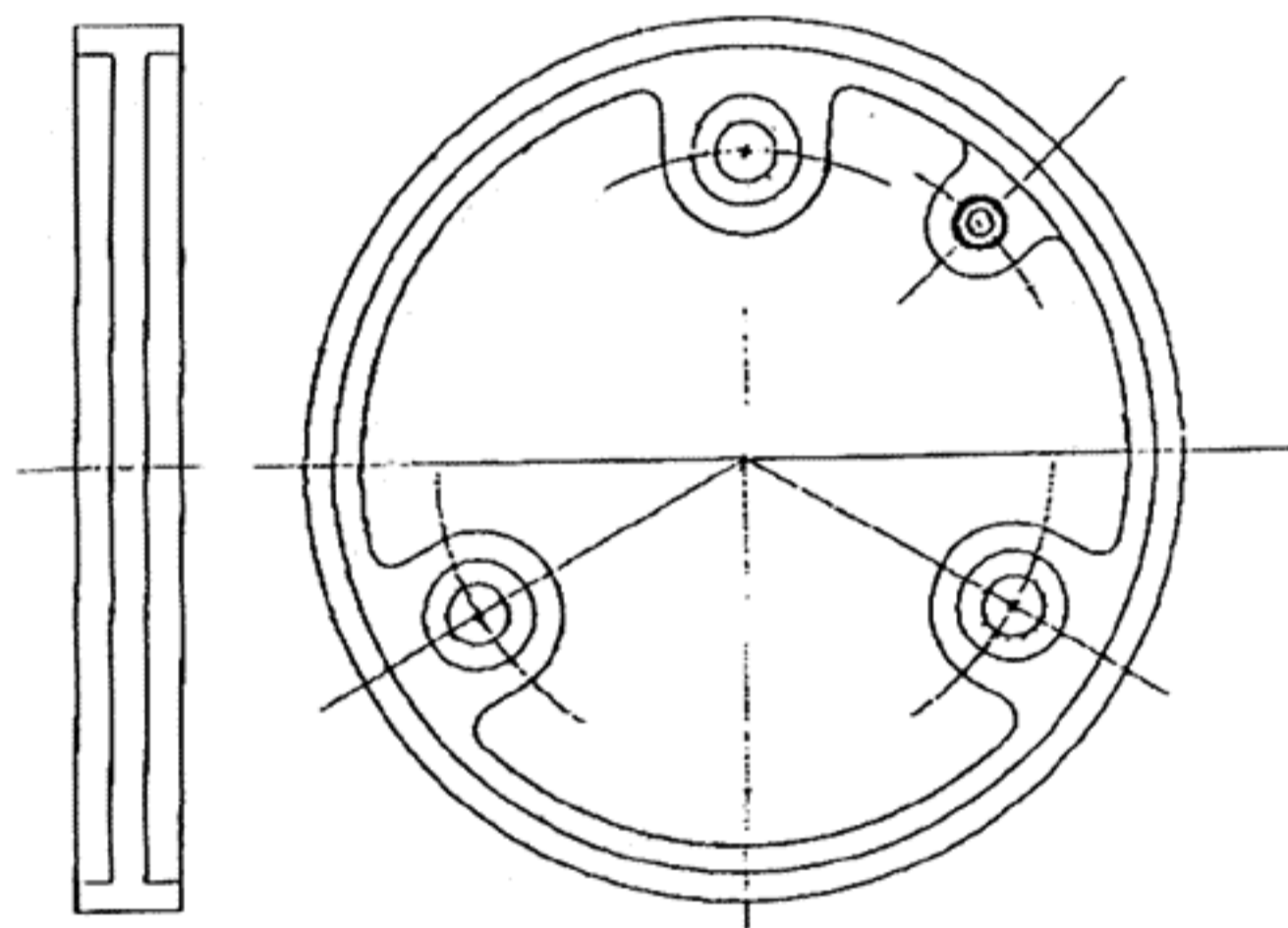
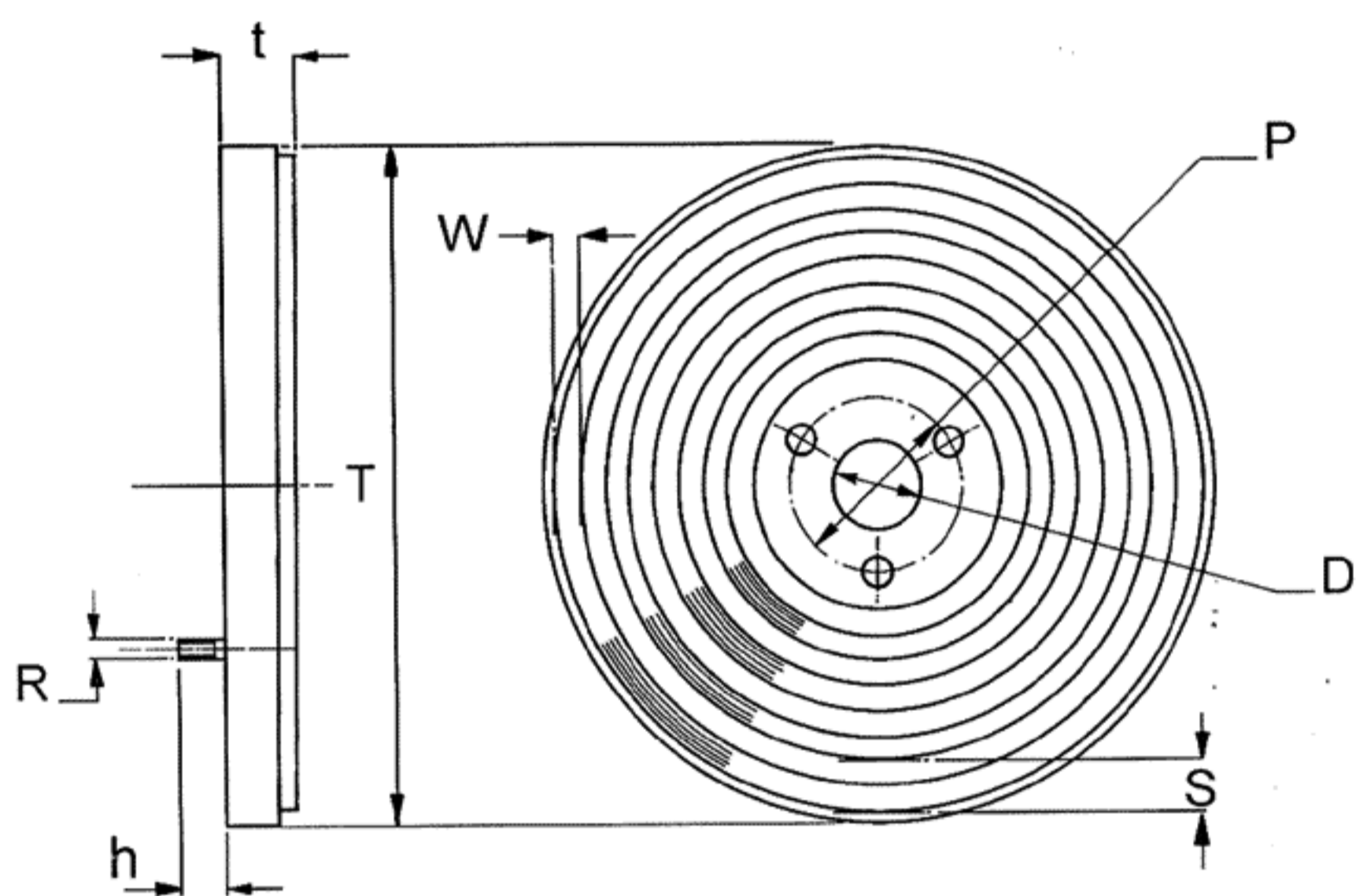


Enquiry Details



Key in the information and dimension if possible

- | | | |
|--------------------------------|---------|-------------------|
| Number of units required | a | Style 2 Fxf |
| Number of rings | B | h |
| Voltage per ring | b | L |
| Speed of operation | c | Style 1 R |
| Current per ring (Amps) | D | S |
| Keyway | e | |



Face Type Sliprings

Key in the information and dimension if possible

- | | | |
|--------------------------------|---------|---------|
| Number of units required | D | S |
| Number of rings | h | t |
| Voltage per ring | P | T |
| Speed of operation | R | W |
| Current per ring (Amps) | | |

Single Rings

Key in dimensions

- | | |
|-------------------------------|--|
| 1 hole dia. | |
| 3 holes dia. | |
| Dia. Of ring | |
| Width of ring | |
| Dia.centres of 1 hole | |
| Dia. centres of 3 holes | |

Collector column

- Number of units required
- Number of rings
- Voltage per ring
- Speed of operation
- Current per ring
- Operation conditions
- Anti condensation heater
- Any special conditions

| | |
|----------------|--------------------|
| Company | Contact |
| Address | Department |
| City | E-mail |
| County | Phone |
| Postcode | Fax |
| Country | Mobile phone |

Fax to the following :-



20 Dixon Place, College Milton, East Kilbride G74 JF
 Tel: +44(0)13552 34443 Fax: +44(0)13552 47301
 email: info@nova.uk.com www.nova.uk.com